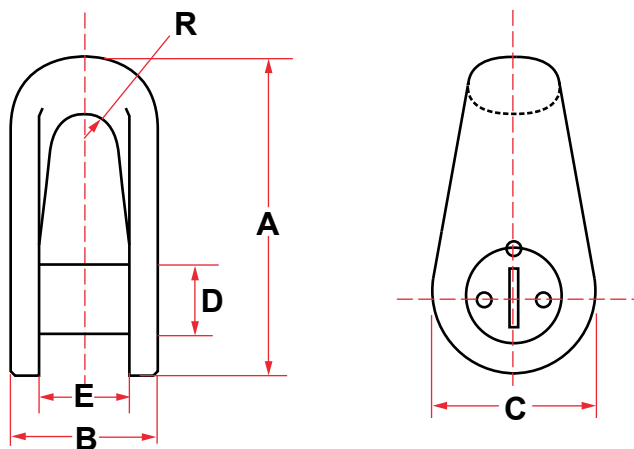




# HARDWARE

## MOORING SHACKLES SEA-LINK

(MADE WITH PRIDE IN THE USA.)



### TONSBERG TYPE

(PIN STYLE)

| NO. SL 90 ST |         |       |
|--------------|---------|-------|
| A            | 11-3/8" | 290mm |
| B            | 4-1/2"  | 115mm |
| C            | 5-1/2"  | 140mm |
| D            | 2-1/2"  | 65mm  |
| E            | 3"      | 76mm  |
| R            | 1-1/8"  | 28mm  |

| NO. SL 120 ST |          |       |
|---------------|----------|-------|
| A             | 13-3/16" | 335mm |
| B             | 5-3/16"  | 135mm |
| C             | 5-3/4"   | 145mm |
| D             | 2-3/4"   | 70mm  |
| E             | 3-7/8"   | 98mm  |
| R             | 1-1/8"   | 28mm  |

Breaking Load 90 Tons  
Weight: 29 Lbs. 13Kg.

Breaking Load 120 Tons  
Weight: 37 Lbs. 16.8Kg.

**ALL MODELS OF "SEA-LINK"  
MOORING SHACKLES ARE MADE  
OF STAINLESS STEEL**

### MANDAL TYPE

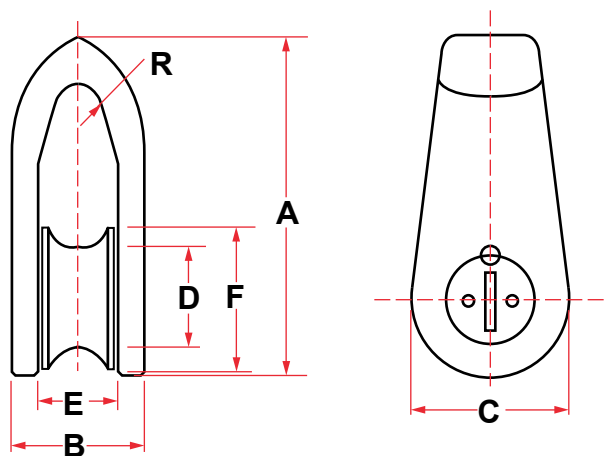
(ROLLER STYLE)

| NO. SL 90 SM |         |       |
|--------------|---------|-------|
| A            | 11-3/8" | 290mm |
| B            | 4-1/8"  | 105mm |
| C            | 4-3/4"  | 122mm |
| D            | 2-3/4"  | 70mm  |
| E            | 2-3/4"  | 70mm  |
| F            | 4-3/4"  | 121mm |
| R            | 1-1/4"  | 33mm  |

| NO. SL 120 SM |           |       |
|---------------|-----------|-------|
| A             | 11-13/16" | 300mm |
| B             | 5-3/8"    | 136mm |
| C             | 4-13/16"  | 125mm |
| D             | 2-3/4"    | 70mm  |
| E             | 3-3/4"    | 95mm  |
| F             | 5-7/16"   | 138mm |
| R             | 1-7/8"    | 48mm  |

Breaking Load 90 Tons  
Weight: 29 Lbs. 13Kg.

Breaking Load 120 Tons  
Weight: 37 Lbs. 16.8Kg.



**FACTORY CERTIFICATES INCLUDED  
WITH EVERY "SEA-LINK"  
MOORING SHACKLES**

