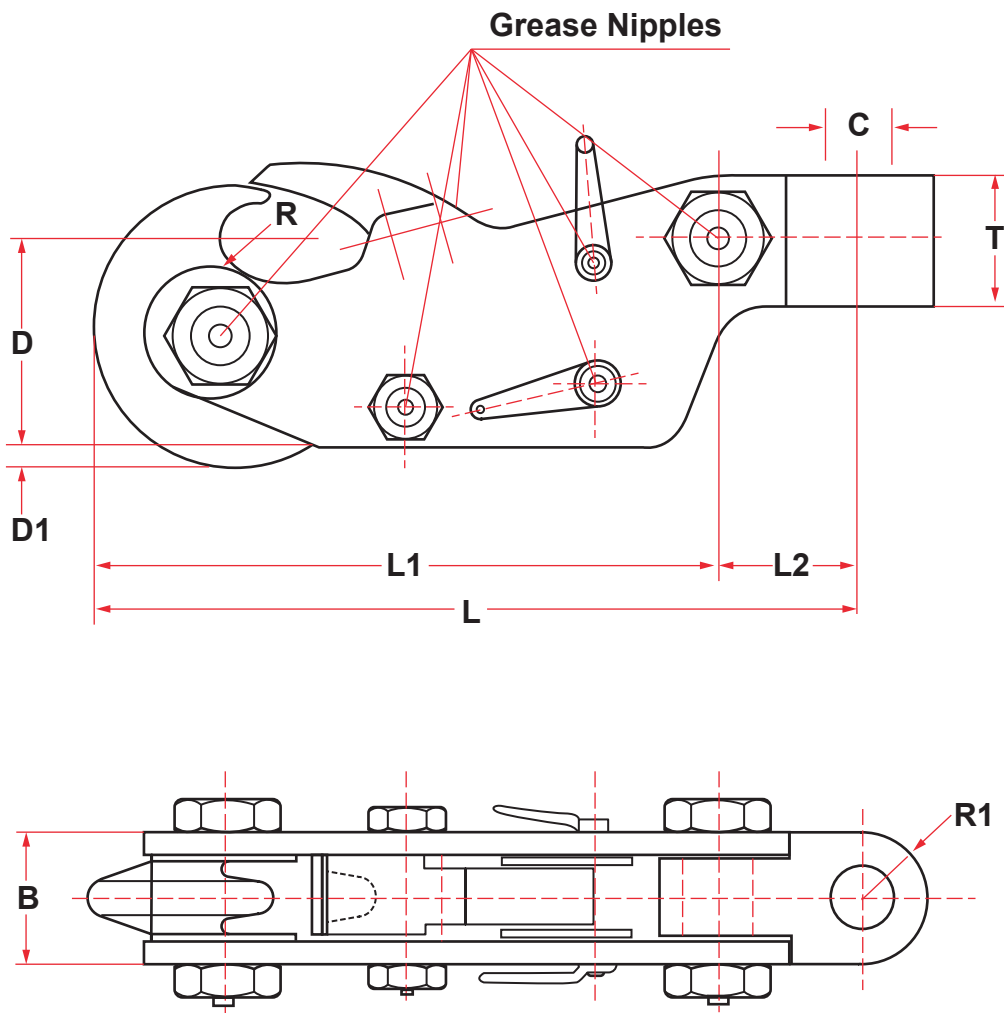




DISK TOWING HOOK



TOWING

	WEIGHT (KG)	TEST LOAD (KN)	S.W.L. (KN)	B	B1	C	D	D1	H	L	L1	L2	R	R1	R2	T
TYPE 18.25	380	500	250	182	-	80	309	48	-	1115	915	200	75	85	-	180
TYPE 30.45	450	900	450	232	-	100	323	35	-	1190	940	250	75	115	-	200
TYPE 50.65	715	1300	650	262	-	110	380	90	-	1340	1090	250	87.50	125	-	225
TYPE 70.100	1135	2000	1000	292	-	135	490	40	-	1615	1325	290	87.50	140	-	270