

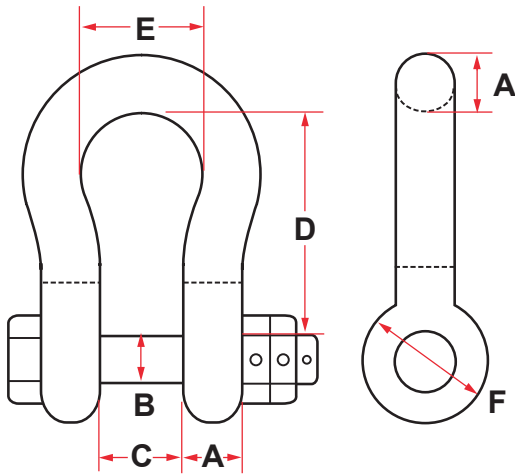


TOWING

SEA-LINK HEAVY LIFT INDUSTRIAL AND MARINE TOWING SHACKLES

(MADE WITH PRIDE IN THE USA)

ANCHOR PATTERN — REGULAR JAW



SIZE (A)	WORKING LOAD LIMIT IN TONS	PIN DIAM. IN INCHES (B)	JAW WIDTH INCHES (C)	DIMENSIONS (INCHES)			APPROX. WT. EACH IN POUNDS
				D	E	F	
1-1/2	31	1-3/4	2-3/8	5-3/4	3-7/8	3-1/2	20
1-3/4	41	2	2-7/8	7	5	4-1/4	23
2	52	2-1/4	3-1/4	7-3/4	5-3/4	4-5/8	41
2-1/4	67	2-1/2	4-1/4	9-1/4	6-1/2	5	67
2-1/2	82	2-3/4	4-1/2	10-1/2	7-1/2	5-3/4	88
2-3/4	104	3	4-1/2	11	7-3/4	6-1/8	112
3	123	3-1/4	5	13	8-1/2	6-1/2	133
3-1/2	150	3-3/4	5-3/4	15	9	8-1/4	250
4	200	4-1/4	6-1/2	16	11	9-1/8	358

JAW TOLERANCE

- * Shackle Size 1-1/2 - 3 Inches = (+/-).125
- * Shackle Size 3-1/2 - 4 Inches = (+/-).250

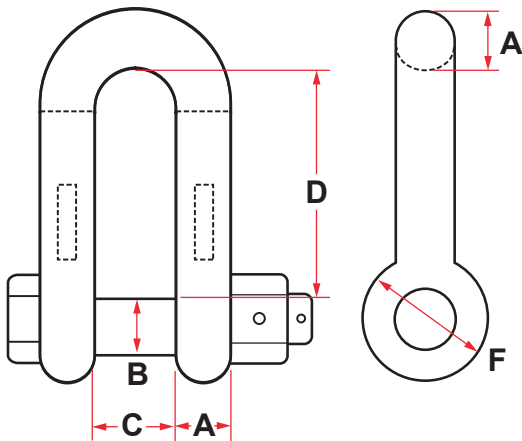
REACH TOLERANCE

- * Shackle Size 1-1/2 - 2-1/2 Inches = (+/-).500
- * Shackle Size 2-3/4 - 4 Inches = (+/-).750

SAFETY

- * 5:1 Safety Factor

CHAIN PATTERN — REGULAR JAW



SIZE (A)	WORKING LOAD LIMIT IN TONS	PIN DIAM. IN INCHES (B)	JAW WIDTH INCHES (C)	DIMENSIONS (INCHES)		APPROX. WT. EACH IN POUNDS
				D	F	
1-1/2	31	1-3/4	2-3/8	5-1/2	3-1/2	19
1-3/4	41	2	2-7/8	6-3/4	4-1/4	22
2	52	2-1/4	3-1/4	7-3/4	4-5/8	36
2-1/4	67	2-1/2	4-1/4	9-1/4	5	62
2-1/2	82	2-3/4	4-1/2	10-1/2	5-3/4	86
2-3/4	104	3	4-1/2	11	6-1/8	110
3	123	3-1/4	5	13	6-1/2	125
3-1/2	150	3-3/4	5-3/4	15	8-1/4	218
4	200	4-1/4	6-1/2	16	9-1/8	310

JAW TOLERANCE

- * Shackle Size 1-1/2 - 3 Inches = (+/-).125
- * Shackle Size 3-1/2 - 4 Inches = (+/-).250

REACH TOLERANCE

- * Shackle Size 1-1/2 - 2-1/2 Inches = (+/-).500
- * Shackle Size 2-3/4 - 4 Inches = (+/-).750

SAFETY

- * 5:1 Safety Factor

AVAILABLE IN SINGLE NUT OR DOUBLE NUT PINS.



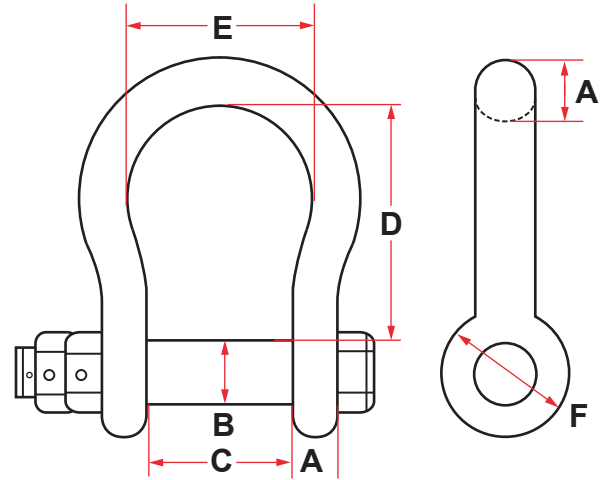


SEA-LINK HEAVY LIFT INDUSTRIAL AND MARINE TOWING SHACKLES (WIDE JAW)

(MADE WITH PRIDE IN THE USA)

ANCHOR PATTERN — WIDE JAW

SIZE (A)	WORKING LOAD LIMIT IN TONS	PIN DIAM. IN INCHES (B)	JAW WIDTH INCHES (C)	DIMENSIONS (INCHES)			APPROX. WT. EACH IN POUNDS
				D	E	F	
1-1/2	22	1-3/4	4-3/16	8-1/8	6-1/4	3-1/2	28
1-3/4	30	2	5	9-3/8	6-7/8	4-1/4	40
2	40	2-1/4	5-3/4	10-1/2	8-1/8	4-5/8	55
2-1/4	48	2-1/2	6-1/4	11-1/2	8-7/8	5	75
2-1/2	55	2-3/4	6-1/2	12-3/8	9-3/8	5-3/4	106
2-3/4	68	3	7	12-3/4	9-3/4	6-1/8	138
3	80	3-1/4	7-1/4	13	10	6-1/2	157
3-1/2	120	3-3/4	9-1/4	15-1/2	12-1/4	8-1/4	274



JAW TOLERANCE

* Shackle Size 1-1/2 - 3 Inches = (+/-).125)
 * Shackle Size 3-1/2 Inches = (+/-).250)

REACH TOLERANCE

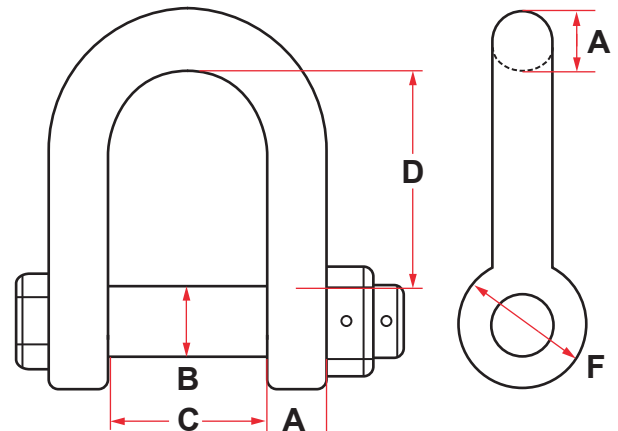
* Shackle Size 1-1/2 - 2-1/2 Inches = (+/-).500)
 * Shackle Size 2-3/4 - 3-1/2 Inches = (+/-).750)

SAFETY

* 5:1 Safety Factor

CHAIN PATTERN — WIDE JAW

SIZE (A)	WORKING LOAD LIMIT IN TONS	PIN DIAM. IN INCHES (B)	JAW WIDTH INCHES (C)	DIMENSIONS (INCHES)		APPROX. WT. EACH IN POUNDS
				D	F	
1-1/2	22	1-3/4	4-3/16	8-1/8	3-1/2	28
1-3/4	30	2	5	9-3/8	4-1/4	45
2	40	2-1/4	5-3/4	10-1/2	4-5/8	60
2-1/4	48	2-1/2	6-1/4	11-1/2	5	71
2-1/2	55	2-3/4	6-1/2	12-3/8	5-3/4	112
2-3/4	68	3	7	12-3/4	6-1/8	127
3	80	3-1/4	7-1/4	13	6-1/2	165
3-1/2	120	3-3/4	9-1/4	15-1/2	8-1/4	278



JAW TOLERANCE

* Shackle Size 1-1/2 - 3 Inches = (+/-).125)
 * Shackle Size 3-1/2 Inches = (+/-).250)

REACH TOLERANCE

* Shackle Size 1-1/2 - 2-1/2 Inches = (+/-).500)
 * Shackle Size 2-3/4 - 3-1/2 Inches = (+/-).750)

SAFETY

* 5:1 Safety Factor

AVAILABLE IN SINGLE NUT OR DOUBLE NUT PINS.