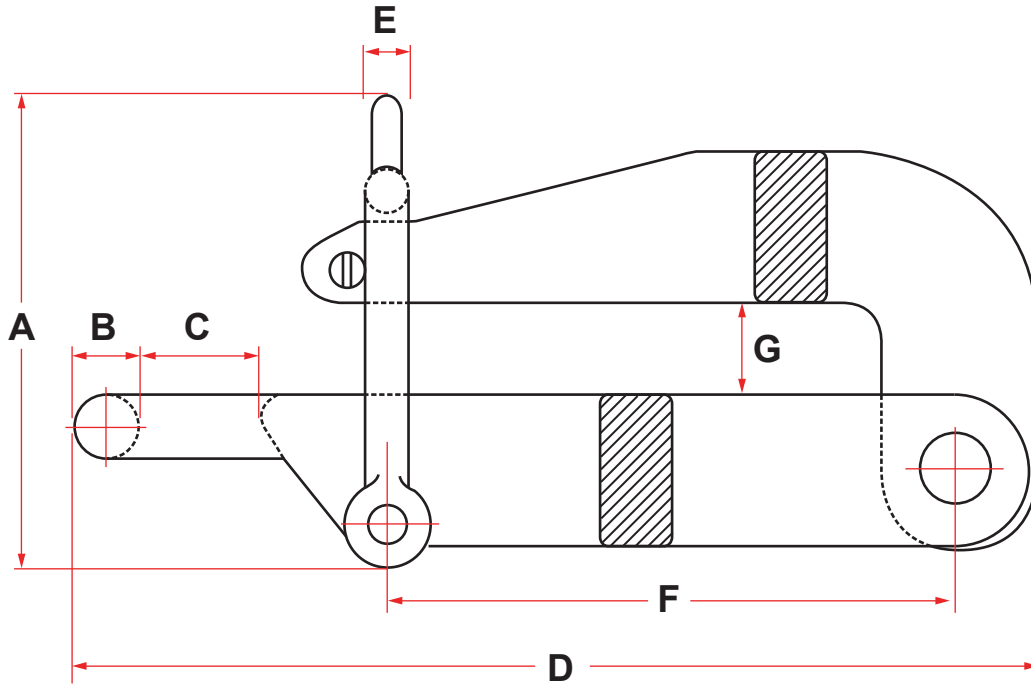




FITTINGS

PELICAN HOOK CHAIN STOPPER WITH ABS CERTIFICATION



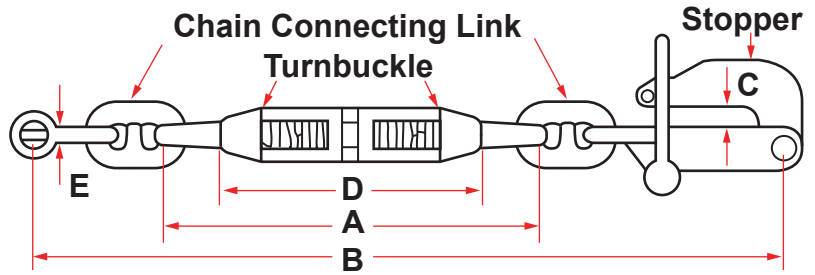
CHAIN SIZE		A (MM)	B (MM)	C (MM)	D (MM)	E (MM)	F (MM)	G (MM)	LOADS		WEIGHT
MM	INCHES								PROOF TEST KN	BREAK TEST KN	LBS
19	3/4	190	19	32	266	16	137	25	291.3	385	13
22	7/8	193	22	35	337	16	178	31	392.7	529.8	21
25-32	1 - 1-1/4	219	29	41	446	19	260	39	730.6	985.6	41
32-38	1-1/4 - 1-1/2	270	38	48	490	22	267	44	941.6	1,271.1	50
35-41	1-3/8 - 1-5/8	270	38	48	490	22	267	51	941.6	1,271.1	59
41-51	1-5/8 - 2	313	38	54	565	25	305	62	1,122	1,514.6	95
54-60	2-1/8 - 2-3/8	375	41	57	680	32	394	65	1,122	1,514.6	172
64-70	2-1/2 - 2-3/4	410	48	70	780	35	457	79	1,567.1	2,119.1	216
76-83	3 - 3-1/4	454	51	76	860	38	502	95	1,816.5	2,715.9	280
86-89	3-3/8 - 3-1/2	495	64	86	927	41	514	98	2,190.5	3,312.5	357
89-95	3-1/2 - 3-3/4	568	73	108	997	44	533	114	3,137	4,746	440
121	4-3/4	568	73	108	1216	44	753	137	3,137	4,746	683





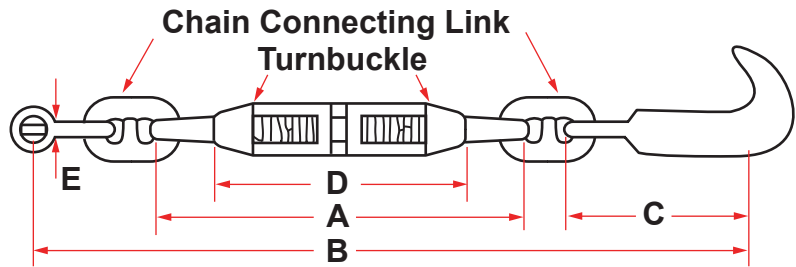
FITTINGS

PELICAN HOOK TYPE CHAIN STOPPER ASSEMBLY



CHAIN SIZE		INCHES						DET. LINK SIZE	PROOF LOAD LBS	BREAK LOAD LBS
INCHES	MM	A	B MIN.	B MAX.	C	D	E			
3/4	19	16	33-1/4	40-1/2	1	11	7/8	3/4	67,500	91,100
7/8	22	17-1/4	38-7/16	45-9/16	1-7/32	11	1	7/8	88,200	119,000
1 - 1-1/8	25 - 29	19-1/2	46-7/8	55-1/2	1-17/32	13	1-1/8	1-1/8	145,000	195,000
1-1/4	32	19-5/8	48	56-5/8	1-17/32	13	1-1/4	1-1/4	178,200	240,600
1-1/4 HS - 1-1/2	32HS - 38	23-3/4	55-3/16	65-11/16	1-3/4	16	1-1/2	1-3/8	211,500	285,500
1-3/8HS - 1-5/8	34HS - 42	23-3/4	55-3/16	65-11/16	2	16	1-1/2	1-3/8	211,500	285,500
1-5/8HS - 2	42HS - 51	24-1/8	59-3/16	65-11/16	2-7/16	16	1-1/2	1-1/2	252,000	340,200
2-1/8 - 2-3/8	54 - 60	26-1/4	65-3/8	76-1/8	2-9/16	16	1-5/8	1-1/2	252,000	340,200
2-1/2 - 2-5/8	64 - 67	29-3/4	74-3/8	87-1/2	3-1/8	20	1-7/8	1-5/8	292,500	395,000
2-3/4 - 2-3/4HD	70 - 70HD	29-3/4	86-5/8	89-3/4	3-1/8	20	1-7/8	1-3/4	352,000	476,000
3HD - 3-1/4	76HD - 83	36	90-3/4	106-1/2	3-3/4	24	2-3/8	2-1/4	403,000	610,000
3-3/8 - 3-1/2	86 - 89	38-5/8	97-7/16	113-3/16	3-7/8	24	2-5/8	2-1/2	492,000	744,000
3-1/2HD - 3-3/4	89HD - 95	44-3/8	110	128-1/8	4-1/2	27-1/2	2-7/8	3	706,000	1,068,000

DEVIL'S CLAW TYPE CHAIN STOPPER ASSEMBLY



CHAIN SIZE		INCHES						DET. LINK SIZE	PROOF LOAD LBS	BREAK LOAD LBS
INCHES	MM	A	B MIN.	B MAX.	C	D	E			
3/4 - 3/4HS	19 - 19HS	16	35-1/2	42-3/4	10-1/2	11	7/8	3/4	67,500	91,100
7/8 - 7/8HS	22 - 22HS	17-1/4	38-1/4	45-3/8	10-1/2	11	1	7/8	88,200	119,000
1 - 1-1/8	25 - 29	19-1/2	43-1/16	51-11/16	10-1/2	13	1-1/8	1-1/8	145,000	195,000
1-1/4	32	19-5/8	44-3/16	52-13/16	10-1/2	13	1-1/4	1-1/4	178,200	240,600
1-1/4 HS - 1-1/2	32HS - 38	23-3/4	50-1/4	60-3/4	10-1/2	16	1-1/2	1-3/8	211,500	285,500
1-3/8HS - 1-5/8	34HS - 42	23-3/4	50-1/4	60-3/4	10-1/2	16	1-1/2	1-3/8	211,500	285,500
1-5/8HS - 2	42HS - 51	24-1/8	53-1/8	63-5/8	12	16	1-1/2	1-1/2	252,000	340,200
2-1/8 - 2-3/8	54 - 60	26-1/4	56-1/4	66-3/4	12-1/2	16	1-5/8	1-1/2	252,000	340,200
2-1/2 - 2-5/8	64 - 67	29-3/4	65	78-1/8	16	20	1-7/8	1-5/8	292,500	395,000
2-3/4 - 2-3/4HD	70 - 70HD	29-3/4	67-1/4	80-1/4	16	20	1-7/8	1-3/4	352,000	476,000
3HD - 3-1/4	76HD - 83	36	76-1/4	92-3/8	17-1/2	24	2-3/8	2-1/4	403,000	610,000
3-3/8 - 3-1/2	86 - 89	38-5/8	86-1/2	102-1/4	19	24	2-5/8	2-1/2	492,000	744,000
3-1/2HD - 3-3/4	89HD - 95	44-3/8	98-5/8	116-3/4	20-1/2	27-1/2	2-7/8	3	706,000	1,068,000

