

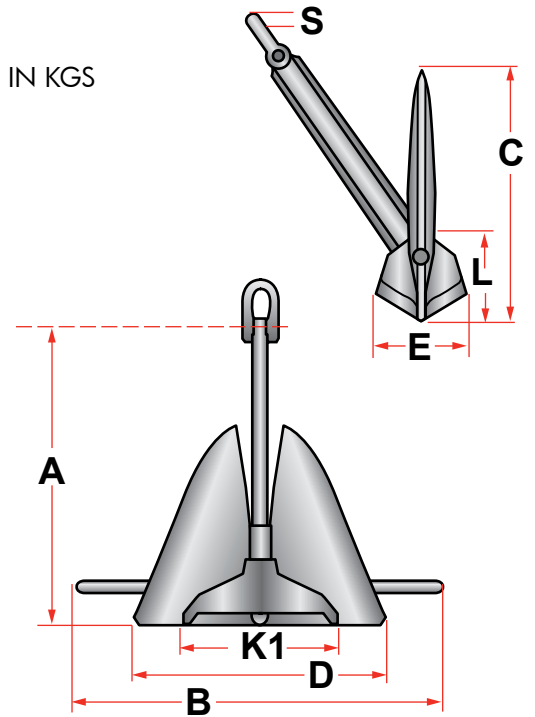


STEVIN ANCHOR*

TYPE STEVIN MK3 - MAIN DIMENSIONS IN MM; ANCHOR WEIGHT IN KGS

WT	1000	1500	3000	5000	7000	9000	12000	15000	20000	30000
A	2341	2680	3376	4003	4478	4869	5366	5780	6362	7283
B	2645	3038	3828	4538	5077	5521	5892	6347	6986	7997
C	1559	1785	2249	2667	2983	3244	3458	3725	4100	4694
D	2023	2316	2918	3460	3871	4209	4490	4837	5324	6094
E	737	843	1063	1260	1409	1533	1728	1861	2048	2345
K	1010	1156	1456	1727	1932	2100	2255	2430	2674	3061
L	412	471	594	704	788	857	914	984	1083	1240
ØS	60	65	80	80	90	100	130	150	160	180

TYPICAL HIGH HOLDING POWER ANCHORS.



BRUCE FFTS MK4 ANCHOR*

The table gives nominal dimensions of certain sizes but since the anchors are fabricated from steel plate they can be supplied in any size to suit customer requirements, from 250kg up to 60,000kg.

WEIGHT KG	NOMINAL DIMENSIONS IN MM					
	A	B	C	D	E	F
500	1827	1280	500	1303	606	2188
1500	2548	1854	723	1888	878	3172
3000	3409	2388	931	2431	1131	4085
5000	4029	2822	1100	2873	1336	4828
9000	4846	3394	1324	3456	1607	5806
12000	5437	3808	1486	3878	1803	6514
15000	5728	4012	1566	4085	1900	6864
20000	6319	4426	1726	4507	2096	7571
30000	7225	5060	1974	5153	2396	8656
40000	8034	5627	2195	5730	2664	9626

* No longer manufactured — surpassed by Stevpris Anchor.

