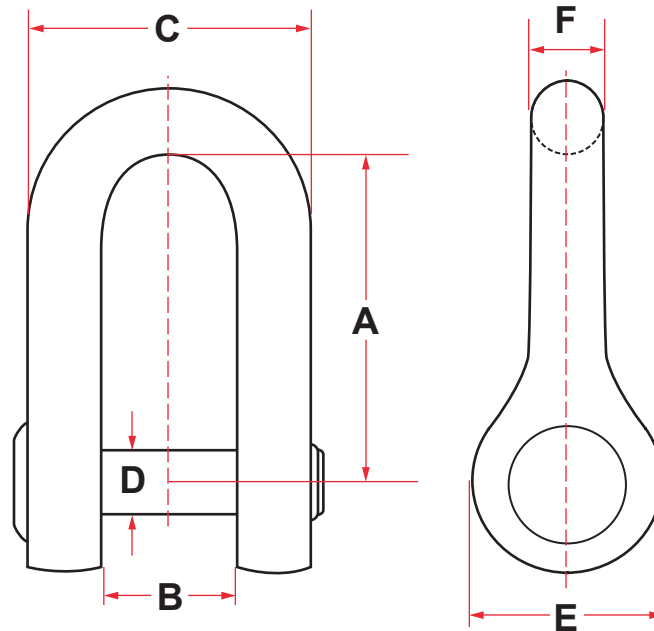




CROWN ANCHOR SHACKLE WITH ABS CERTIFICATION



FITTINGS

SHACKLE SIZE		A (MM)	B (MM)	C (MM)	D (MM)	E (MM)	F (MM)	WEIGHT		PROOF LOAD (LBS)
MM	INCHES							KG	LBS.	
51	2	254.0	88.9	180.6	50.8	136.0	50.8	20	44	54,500
64	2-1/2	304.8	111.1	238.1	63.5	168.0	63.5	50	110	90,700
76	3	355.6	152	304	76.2	200.0	76.2	80	176	145,000
89	3-1/2	406.4	165.1	342.9	88.9	230.0	88.9	120	265	165,600
102	4	482.6	194.2	357.4	101.6	265.0	101.6	170	375	230,000
114	4-1/2	558.8	203.2	431.8	114.3	300.0	114.3	240	529	282,500