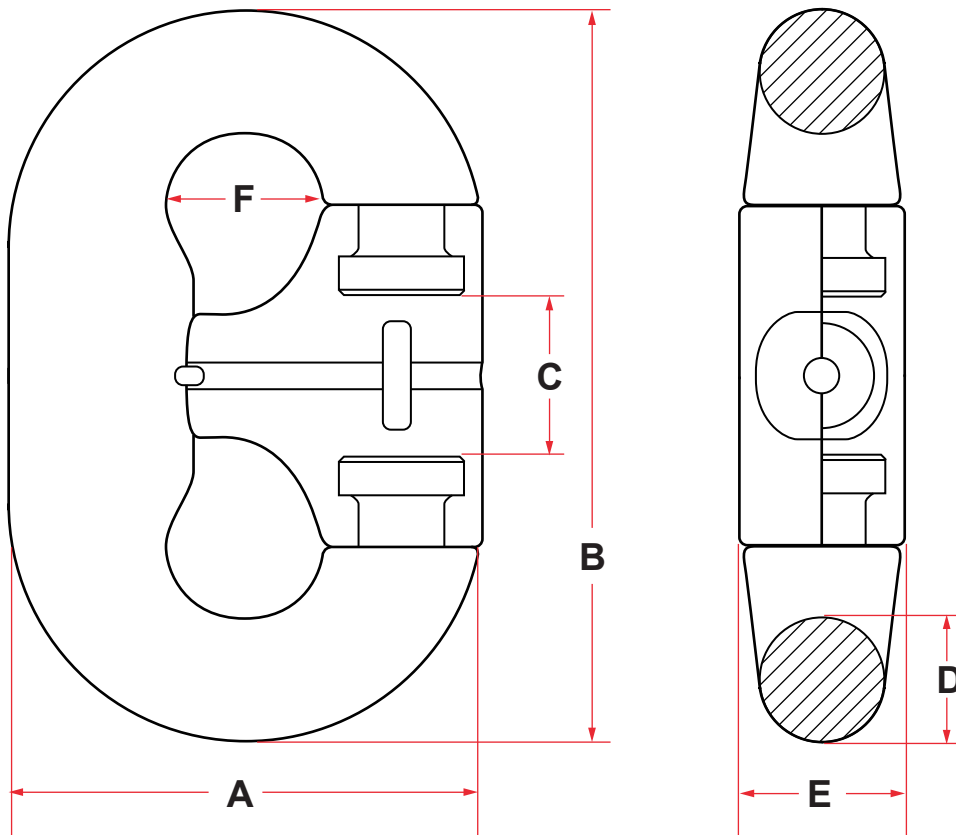




C-TYPE CHAIN CONNECTING LINK GRADE R4



DATA SHEETS	
NUMBER	SIZE
A	4 D
B	6 D
C	1,3 D
D	Ø D
E	1,4 D
F	1,1 D

CHAIN SIZE	NOMINAL DIA	GRADE	PL (KN)	BL (KN)	DIMENSIONS (MM)						WEIGHT (KG)
					A	B	C	D	E	F	
52-54	54	R4	2500	3171	216	324	70	54	76	59	20
62-64	64	R4	3440	4364	256	384	83	64	89	70	30
68-70	70	R4	4064	5156	280	420	91	70	98	77	46
74-76	76	R4	4731	6001	304	456	99	76	106	84	62
83-86	83	R4	5559	7052	344	516	111	86	120	95	81
87-89	89	R4	6310	8004	356	534	116	89	125	98	93
95-96	95	R4	7231	9172	384	576	125	96	134	106	116

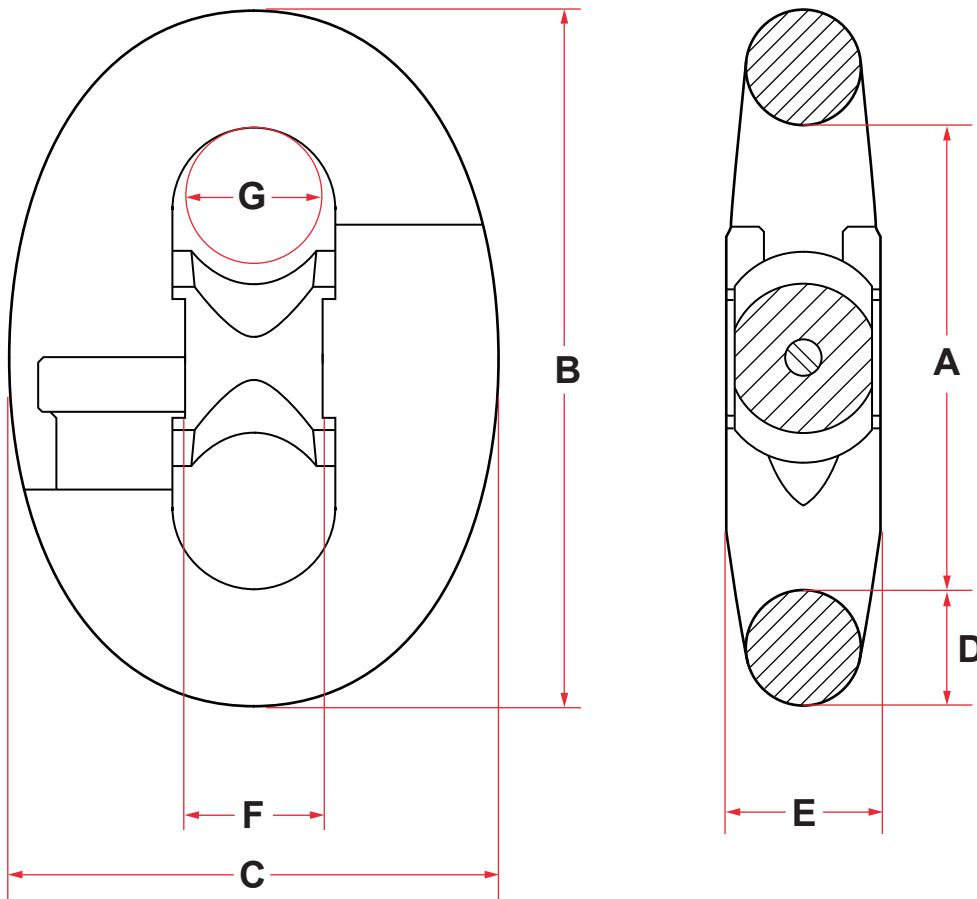
All measurements may vary slightly due to production but shall be within allowable tolerances to class society specifications.



FITTINGS

KENTER JOINING SHACKLE GRADE R4

FITTINGS



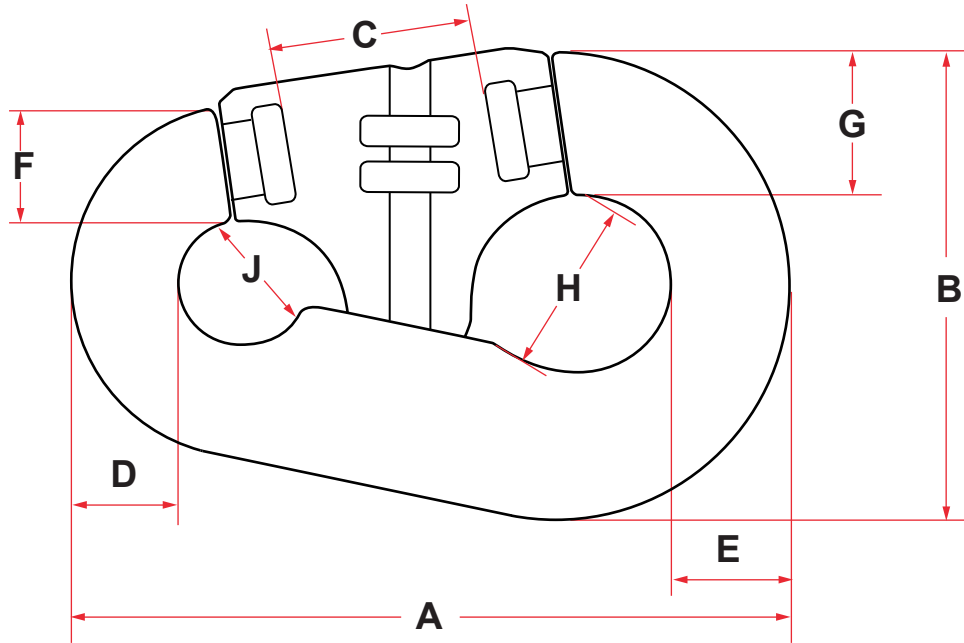
DATA SHEETS	
NUMBER	SIZE
A	4 D
B	6 D
C	4,18 D
D	∅ D
E	1,52 D
F	1,25 D
G	1,2 D

CHAIN SIZE	GRADE	PL (KN)	BL (KN)	DIMENSIONS (MM)							WEIGHT (KG)
				A	B	C	D	E	F	G	
70	R4	4064	5156	280	420	293	70	106	87	77	52
76	R4	4731	6001	304	456	318	76	115	95	84	65
84	R4	5682	7208	336	504	351	84	128	105	92	88
89	R4	6310	8004	356	534	372	89	135	111	98	101
100	R4	7776	9864	400	600	418	100	152	125	110	150
105	R4	8478	10754	420	630	439	105	160	131	115	168
114	R4	9791	12420	456	681	464	114	173	142	125	200

All measurements may vary slightly due to production but shall be within allowable tolerances to class society specifications.



PEAR SHAPE ANCHOR JOINING LINKS GRADE ORQ & R4



FITTINGS

NO.	CHAIN SIZE (MM)	DIMENSIONS (MM)								
		A	B	C	D	E	F	G	H	J
4	32 - 40	298	207	89	41	50	45	60	83	52
5	42 - 51	380	264	100	52	65	60	84	109	65
6	52 - 60	480	337	125	66	83	81	103	142	86
7	62 - 79	570	370	155	85	96	92	113	140	98
8	81 - 92	655	430	162	99	129	119	131	162	115
10	97 - 102	900	580	192	127	168	151	181	207	150

NO	GRADE R4		GRADE ORQ	
	PROOF LOAD (KN)	BREAK LOAD (KN)	PROOF LOAD (KN)	BREAK LOAD (KN)
4	1410	1789	914	1377
5	2243	2845	1454	2191
6	3048	3867	1976	2978
7	5079	6443	3292	4962
8	6699	8497	4342	6544
9	7096	9001	4599	6932
10	8054	10217	5220	7868

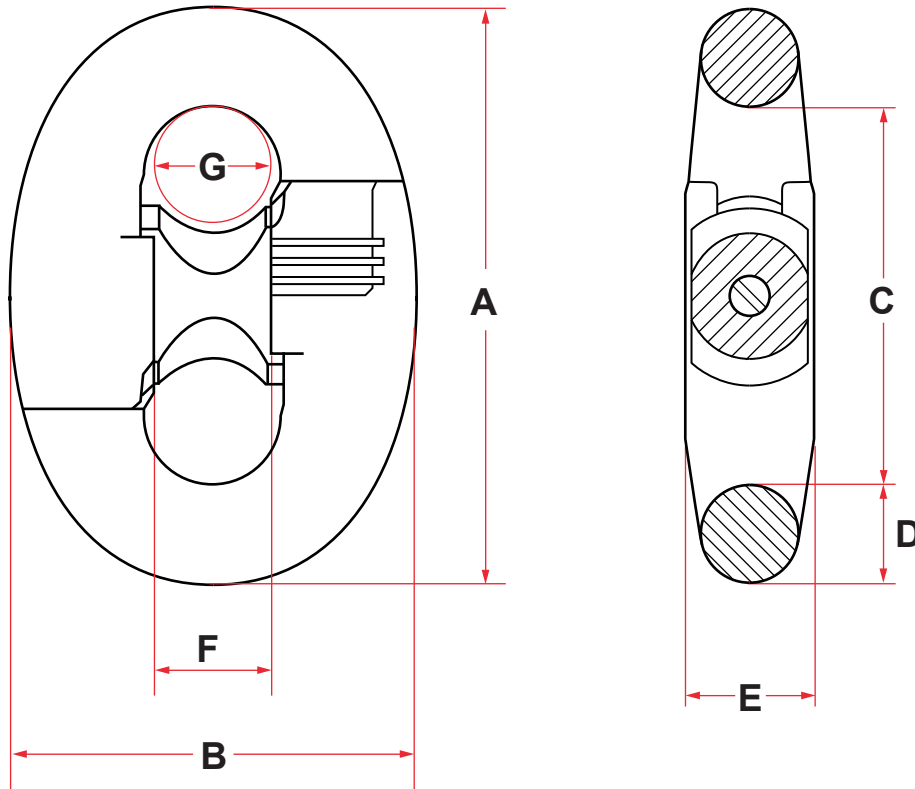
To convert to lbs., multiply by 225



FITTINGS

TRIDENT THIN KENTER (SLIMLINE) GRADE R4

FITTINGS



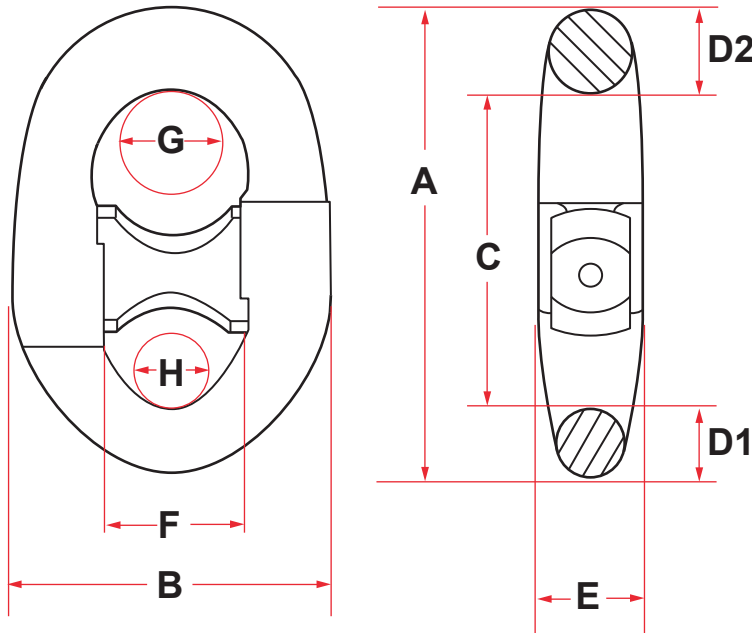
DATA SHEETS	
NUMBER	SIZE
A	6 D
B	4,18 D
C	4 D
D	Ø D
E	1,3 D
F	1,14 D
G	1,1 D

CHAIN SIZE	GRADE	PL (KN)	BL (KN)	DIMENSIONS (MM)							WEIGHT (KG)
				A	B	C	D	E	F	G	
70	R4	4064	5156	420	293	280	70	91	80	77	52
76	R4	4731	6001	456	318	304	76	99	87	84	65
84	R4	5682	7208	504	351	336	84	109	96	92	88
89	R4	6310	8004	534	372	356	89	111	101	98	101
95	R4	7096	9001	570	379	380	95	124	108	104	150
102	R4	8054	10217	612	426	408	102	133	116	112	172
114	R4	9791	12420	684	476	456	114	148	130	125	190

All measurements may vary slightly due to production but shall be within allowable tolerances to class society specifications.



ANCHOR SHACKLE TRIDENT + RAPTOR



DATA SHEETS	
NUMBER	SIZE
A	8,13 D
B	5,4 D
C	5,4 D
D1	1,1 D
D2	1,5 D
E	1,75 D
F	2,26 D
G	1,9 D
H	1,55 D

TRIDENT R4

CHAIN SIZE	GRADE	PL (KN)	BL (KN)	DIMENSIONS (MM)									WEIGHT (KG)
				A	B	C	D1	D2	E	F	G	H	
76	R4	4731	6001	618	410	410	84	114	133	172	144	118	120
84	R4	5682	7208	683	454	454	92	126	147	190	160	130	150
89	R4	6310	8004	724	481	481	98	133	156	201	169	138	175
95	R4	7096	9001	772	513	513	105	142	166	215	180	147	228

All measurements may vary slightly due to production but shall be within allowable tolerances to class society specifications.

RAPTOR R5

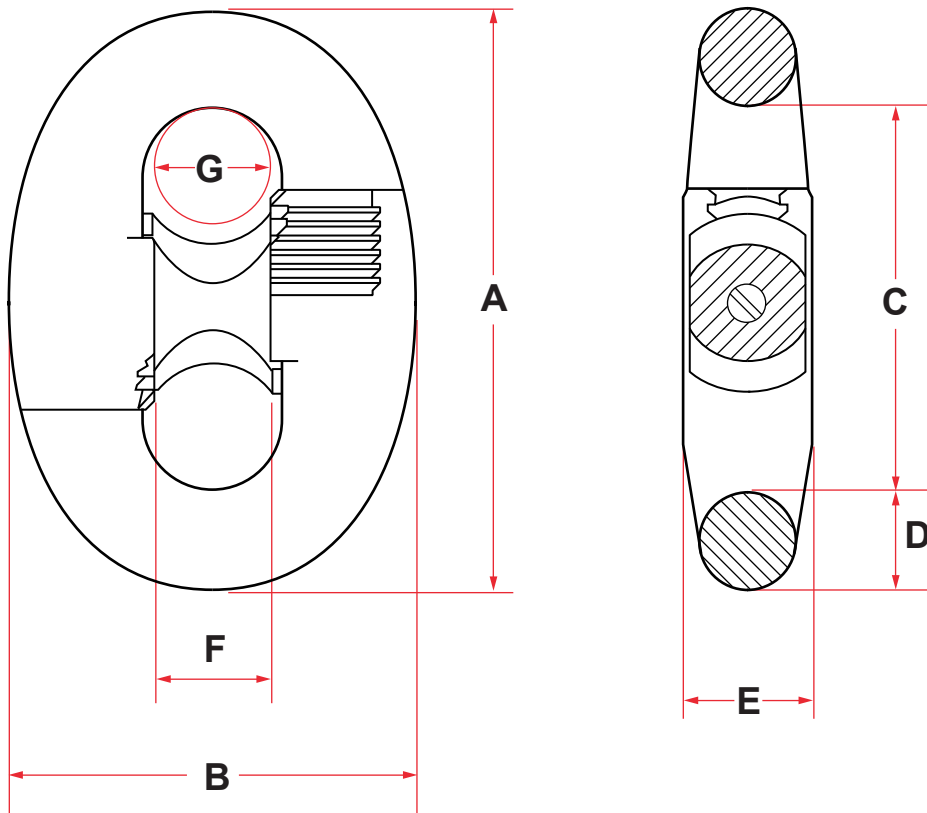
CHAIN SIZE	GRADE	PL (KN)	BL (KN)	DIMENSIONS (MM)									WEIGHT (KG)
				A	B	C	D1	D2	E	F	G	H	
76	R5	5498	7009	618	410	410	84	114	133	172	144	118	120
84	R5	6602	8418	683	454	454	92	126	147	190	160	130	150
89	R5	7332	9348	724	481	481	98	133	156	201	169	138	175
95	R5	8246	10512	772	513	513	105	142	166	215	180	147	228

All measurements may vary slightly due to production but shall be within allowable tolerances to class society specifications.



FITTINGS

RAPTOR THIN KENTER (SLIMLINE) GRADE 5



DATA SHEETS	
NUMBER	SIZE
A	6 D
B	4,18 D
C	4 D
D	Ø D
E	1,3 D
F	1,14 D
G	1,1 D

CHAIN SIZE	GRADE	PL (KN)	BL (KN)	DIMENSIONS (MM)							WEIGHT
				A	B	C	D	E	F	G	
70	R5	4732	6021	420	293	280	70	91	80	77	52
76	R5	5498	7009	456	318	304	76	99	87	84	65
84	R5	6602	8418	504	351	336	84	109	96	92	88
89	R5	7332	9348	534	372	356	89	116	101	98	101
95	R5	8246	10512	570	379	380	95	124	108	104	150
102	R5	9359	11932	612	426	408	102	133	116	112	172
114	R5	11378	14506	684	476	456	114	148	130	125	190

All measurements may vary slightly due to production but shall be within allowable tolerances to class society specifications.