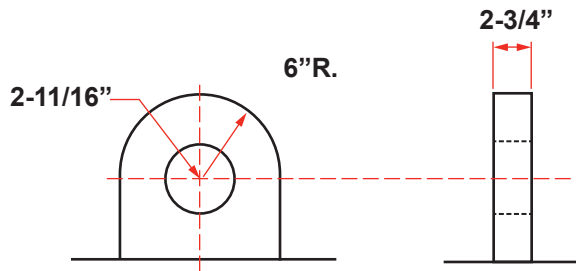
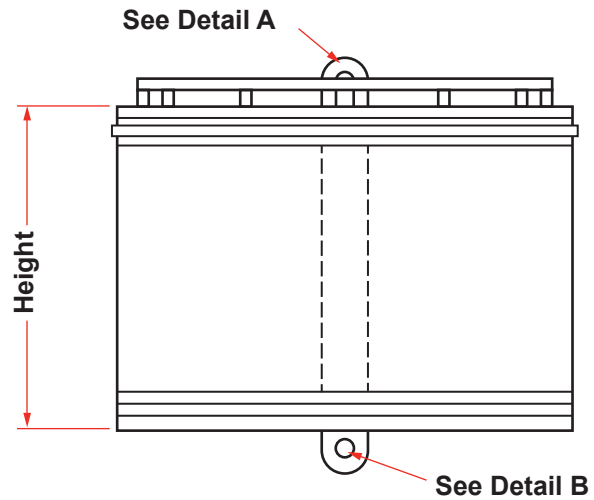
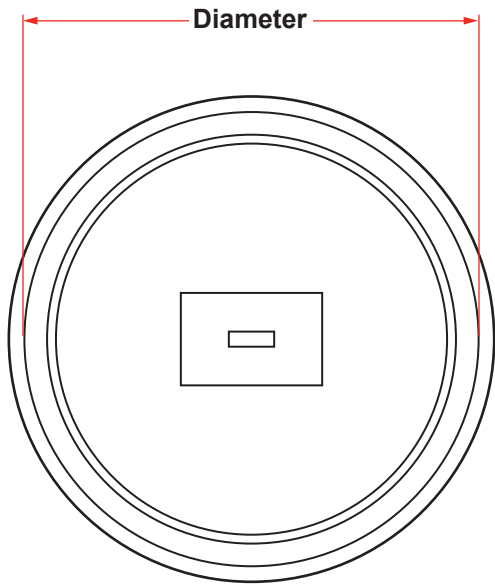
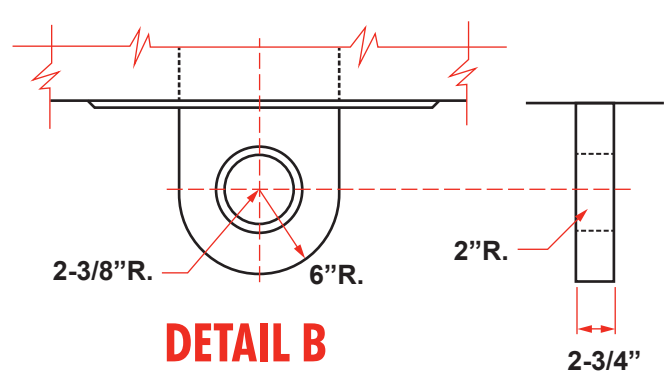




BAR RISER CHAIN TYPE MOORING BUOY



DETAIL A



DETAIL B

DIAMETER	HEIGHT	WEIGHT IN AIR	NAVFAC DWG. NO.
9'-6" O.D.	5'-0"	7,700 lbs.	620659
10'-6" O.D.	6'-6"	9,600 lbs.	620659
10'-6" O.D.	7'-6"	10,100 lbs.	620659