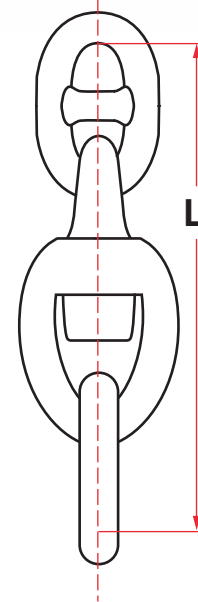
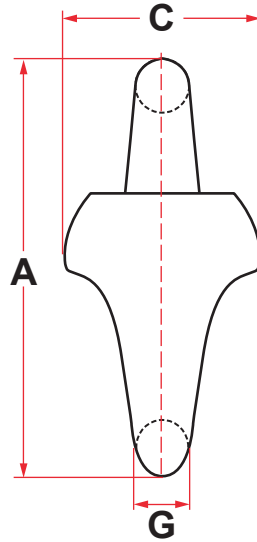
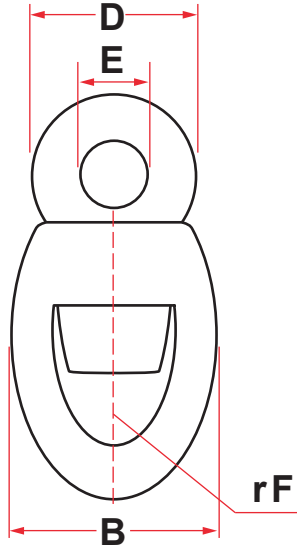




FITTINGS

SWIVEL ASSEMBLY



GRADE 3

CHAIN SIZE		A (MM)	B (MM)	C (MM)	D (MM)	E (MM)	F (MM)	G (MM)	L (MM)	WEIGHT (*)		PROOF TEST KGF	BREAK TEST KGF
MM	INCHES									KG	LBS		
13-16	1/2 - 5/8	137	62	62	20	52	12	16	240	1.35	3	15100	21600
17-19	11/16 - 3/4	173	76	76	27	66	19	19	290	2.25	5	21600	30900
21-22	13/16 - 7/8	198	90	90	30	75	22	22	335	3.20	7	29300	41700
24-29	15/16 - 1-1/8	258	102	102	44	94	25	25	445	6.5	14	49200	70400
30-35	1-3/16 - 1-3/8	290	160	124	116	46	25	36	499	21.0	46.3	70700	101300
36-42	1-7/16 - 1-5/8	373	202	146	145	63	32	46	622	39.5	87.1	102000	143400
43-48	1-11/16 - 1-7/8	430	230	165	183	73	36	50	709	66.0	145.5	130000	185100
49-58	1-15/16 - 2-1/4	516	278	200	212	84	39	65	851	104.0	229.3	185400	265000
59-67	2-5/16 - 2-5/8	575	307	230	235	93	46	68	972	142.0	313.1	242900	347000
68-73	2-11/16 - 2-7/8	650	345	260	256	102	50	79	1078	208.0	458.6	285000	407000
75-79	2-15/16 - 3-1/8	757	370	325	281	109	52	94	1209	276.0	608.5	332100	474500
81-86	3-3/16 - 3-3/8	760	420	372	310	122	57	95	1260	336.0	740.8	384400	549100
87-92	3-7/16 - 3-5/8	800	430	390	320	130	60	98	1343	376.0	828.9	434800	621200
94-98	3-11/16 - 3-7/8	882	460	433	354	142	66	118	1442	557.0	1228.0	490000	700000
100-102	3-15/16 - 4	918	480	448	368	148	69	122	1502	612.0	1349.0	522100	746000
105-111	4-1/8 - 4-3/8	1000	530	478	400	160	74	133	1635	797.0	1757.0	607000	867200
114	4-1/2	1026	542	490	417	165	76	137	1675	871.0	1920.0	637300	910900

Weight of assembly (swivel and 2 common links).

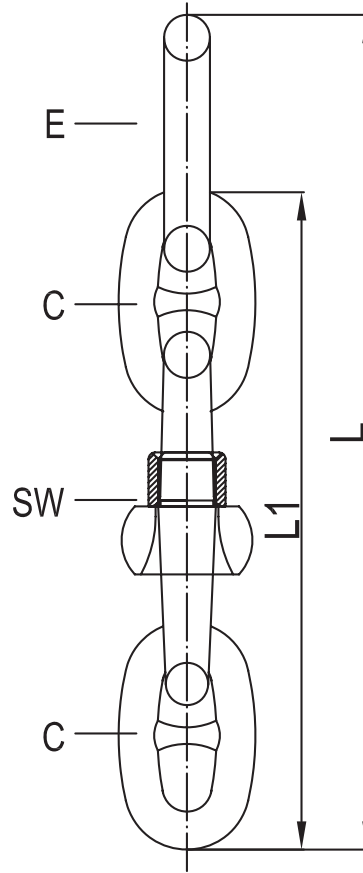
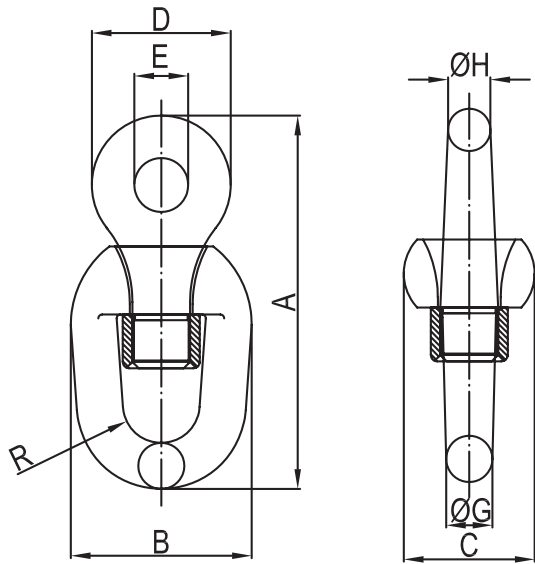
To convert to lbs., multiply by 2.2046



FITTINGS

SWIVEL ASSEMBLY WITH OPEN LINK

FITTINGS



E+C+SW+C		FIT TO CHAIN		A	B	C	D	E	R	G	H	L	LI	WEIGHT (E+C+SW+C)		PROOF TEST	BREAK TEST
MM	INCHES	MM	INCHES	MM	MM	MM	MM	MM	MM	MM	MM	MM	MM	KG	LBS	LBF	LBF
13*	1/2	13	1/2	123	60	43	47	18	13	15	14	-	-	-	-	15,300	21,400
16*	5/8	16	5/8	154	75	54	58	22	16	19	17	-	-	-	-	23,700	33,200
17.5*	11/16	17.5	11/16	169	82	59	63	24	17.5	21	19	-	-	-	-	28,660	40,350
19	3/4	19	3/4	185	90	65	68	27	19	23	21	436	350	4.5	10	47,600	68,000
22	7/8	22	7/8	216	104	76	79	31	22	27	24	509	409	6.4	14	64,400	91,800
28	1 1/8	24-28	15/16 - 1 1/8	272	132	95	101	39	28	34	31	614	487	14.6	32.2	105,000	150,000
34	1 3/8	30-35	1 3/16 - 1 3/8	330	160	116	122	48	34	41	37	746	592	25.2	55.6	142,000	203,000
42	1 5/8	36-42	1 7/16 - 1 5/8	407	197	143	151	59	42	50	46	922	731	48.1	106	214,000	306,000
48	1 7/8	43-48	1 11/16 - 1 7/8	466	226	163	173	67	48	58	53	1054	835	69.7	153.7	281,000	402,000
58	2 1/4	50-58	1 15/16 - 2 1/4	563	273	197	209	81	58	70	64	1273	1009	123.8	273.2	396,000	570,000
67	2 5/8	59-67	2 5/16 - 2 5/8	660	320	231	245	95	68	82	75	1493	1183	196.7	434	554,000	792,000
73	2 7/8	68-73	2 11/16 - 2 7/8	708	343	218	262	102	73	88	80	1602	1270	245	540.7	628,000	897,000
79	3 1/8	75-79	2 15/16 - 3 1/8	786	381	275	291	113	81	97	89	1749	1389	336.7	743	732,000	1,046,000
86	3 3/8	81-86	3 3/16 - 3 3/8	844	409	296	314	122	87	104	96	1895	1504	417	920	843,000	1,204,000
92	3 5/8	87-92	3 7/16 - 3 5/8	892	432	313	331	129	92	110	101	2019	1601	494.4	1090	958,000	1,369,000
98	3 7/8	94-98	3 11/16 - 3 7/8	970	470	340	360	140	100	120	110	2166	1720	615	1356	1,080,000	1,543,000
102	4	100-102	3 15/16 - 4	989	479	347	367	143	102	122	112	2239	1775	669	1476	1,143,000	1,632,000

* Grade 2. Number of links may vary. Call for details.